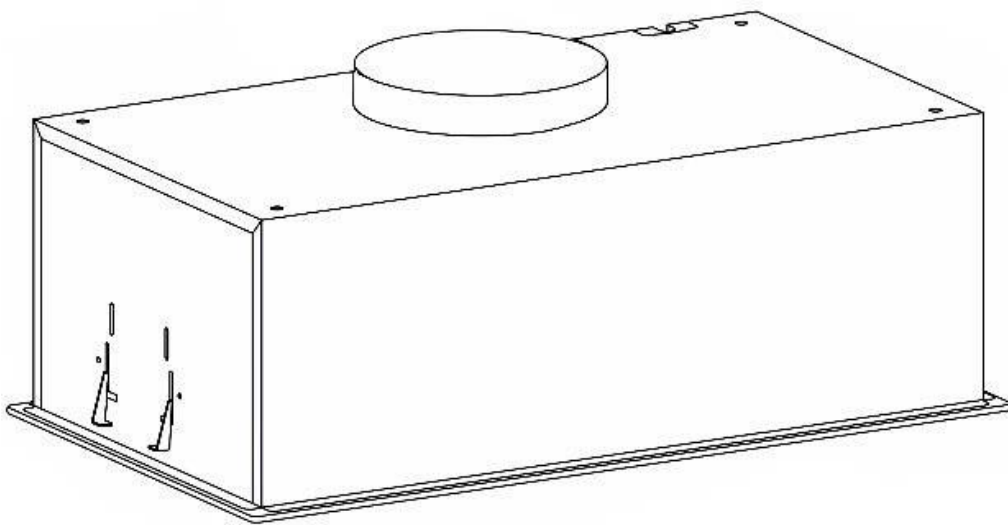


# *Gurani*

## Cooker hood

Manual for installation and  
use for model



# GCH E 217

Dear customer,

we always strive to deliver you faultless products. Should this product not be in perfect condition upon receipt, please contact us immediately.

Before you start installing and / or using this product, please read this instruction carefully and be sure to follow the instructions given. Check the delivered parts for completeness and integrity. Should, despite our efforts, any parts be defective or missing, please contact us. You will receive immediate replacement in this case.

Never use defective parts!

This cooker hood has been constructed for installation and appropriate use in private households. Incorrect installation can damage the appliance and / or your kitchen, as well as it could lead to serious injuries. Do not use parts of the cooker hood or the hood itself for purposes that are not explicitly listed in the manual. No liability is taken over for accidents or damage, due to incorrect installation, use of defective parts or incorrect use of delivered utensils.

The supplied mounting parts are not suitable for all ceilings. If you are not sure which material your ceiling consists of and whether it has sufficient load-bearing capacity, be sure to check with an expert. You may need special screws and dowels that are not included.

If you do not understand this manual or are concerned about your safety, we recommend the commissioning of an experienced installer for the assembly. Due to the weight and the dimensions of this product we recommend to carry out the installation with 2 persons in any case.

We wish you a lot of joy with your new extractor hood.

## **General information**

Pay attention to the environmentally friendly disposal of the packaging.

Please read this manual carefully before use. It contains important information about your safety, installation, commissioning, cleaning and care of your cooker hood.

Keep the instructions in a safe place if you need to read them again or need further hints and help in use.

Please do not start a damaged device.

The device is only suitable for use in private households and not in gastronomy.

Assembly and operation may only be carried out in accordance with the instructions in this manual.

Our devices comply with the legal requirements for electrical household appliances and may therefore only be repaired by authorized personnel. Besides the dangers involved by inappropriate treatment, we strongly point out, that improper intervention voids the warranty.

## **Delivery content**

- hood body incl. LED lights / motor / control / grease filter
- Outlet Reducer  $\varnothing$ 150mm /  $\varnothing$ 120mm
- remote control
- Mounting material
- Operation manual

## Technical specifications

### power

- power consumption in watts 206W
- Of which lighting (LED) 1x 6W
- Voltage in volts 220-240V
- Fan volume max. 1000m<sup>3</sup>/h

### Dimensions

- Height in cm 23.5cm
- Width in cm 52/70cm
- Depth in cm 29.5cm
- Exhaust outlet in mm ø150mm
- Net weight in kg approximately 7.1/8.1kg

### Specifications

- Built-in hood for installation in a cabinet
- Connection with safety plug
- 3-level control
- LED lighting (1x 6W)
- grease filter (dishwasher-safe)
- Suitable for recirculation and exhaust air

## Safety instructions

### Power supply

The connection is made via a fixed cable with earthing contact plug.

In the case of a required permanent connection, the hood may only be installed by an electrician, registered at the responsible electricity supply authority.

On the installation side, a disconnecting device (this includes fuses, contactors and circuit breaker acc. VDE 0730, §7, Part 1) has to be used.

### Use in exhaust mode

In order to ensure optimal operation with exhaust air, we recommend implementation of the following activities

- Short, straight tube guide
- As few pipe bends as possible
- Laying the pipes in flat bends and avoiding sharp angles
- The largest possible pipe diameter

Failure to comply with these points may result in drastic loss of performance and possible raise of operating noise. This is not to be regarded as a malfunction of the device.

In addition, it is in any case inadmissible to blow the exhaust air in otherwise used chimneys or other kinds of culverts. It should only be used for the air of the cooker hood.

If the exhaust air is discharged into a non-operational chimney, we recommend to obtain approval of the responsible chimney sweeper.

For all exhaust air ducts, the official regulations must generally be adhered to. In exhaust mode it has to be ensured, that enough air supply exists.

The joint operation of cooker hoods and stoves using open fire like gas, oil or coal stoves in the same room are restricted subject to country regulations. We recommend the advice and approval of the district chimney sweeper or the local building authority.

## Minimum distances

### Distance to an electric hob

From the electric cooking area to the lower edge of the hood a minimum distance of 600mm must be maintained.

### Distance to the gas hob

Between gas hobs (upper edge of pot carrier) and lower edge of the hood a minimum distance of 700mm should comply.

## Other notes

Please take care, that hotplates in operation are always covered, so the device will not be damaged by excessive heat.

When deep-frying under an extractor hood, the appliance used for frying has to be supervised at all time during operation.

Oils contained in deep fryers may self-ignite due to overheating. Using old and dirty oil can lead to this even more easily.

We point out that overheating can cause a fire. Furthermore, we point out expressly that flambé under the hood is not allowed.

For all work on the cooker hood, even when changing the bulb, the hood has to be de-energized (turn off circuit breaker or remove the screw fuse from the socket). It is also important to follow the filter change and cleaning intervals.

**If ignored, there is an acute fire hazard due to grease deposits!**

## Energy-saving tips

Preparation, warming and keeping food warm should always be done in pots or pans with closed lids.

The appliance should be switched off immediately after cooking or, if available, the time-delayed shutdown be used.

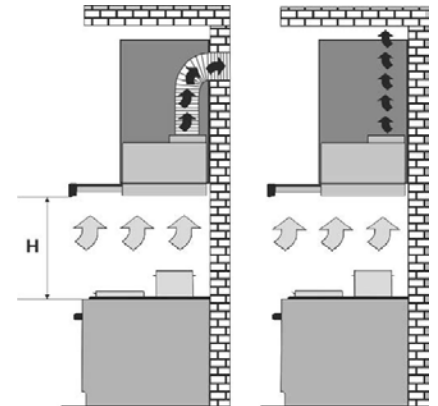
The lighting of the appliance should be switched off after the end of cooking.

Pot sizes should be adapted to the diameter of the cooking zones used.

Use the highest motor speed of the unit only at a high concentration of cooking fumes.

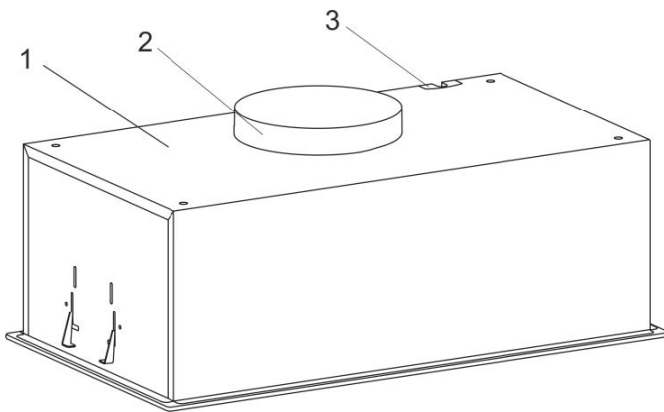
To increase the efficiency of the device, regularly clean the grease filters.

Carbon filters (when used in recirculation mode) should be replaced regularly according to the manufacturer's specifications.

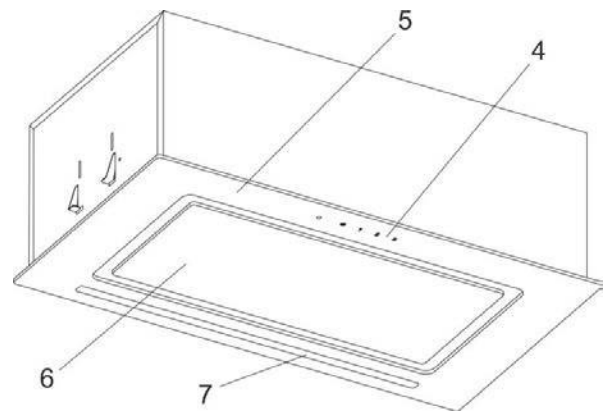


## Parts of the hood

The extractor hood consists of the following parts

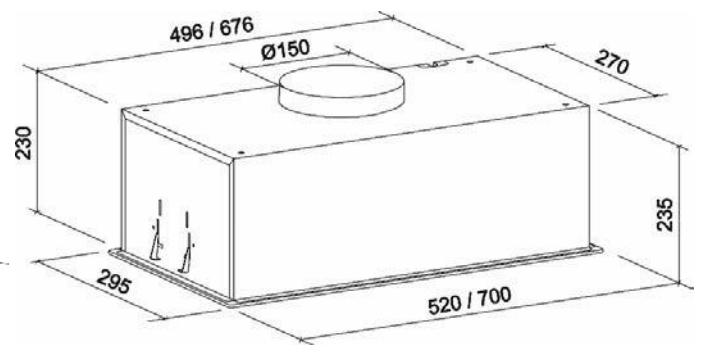
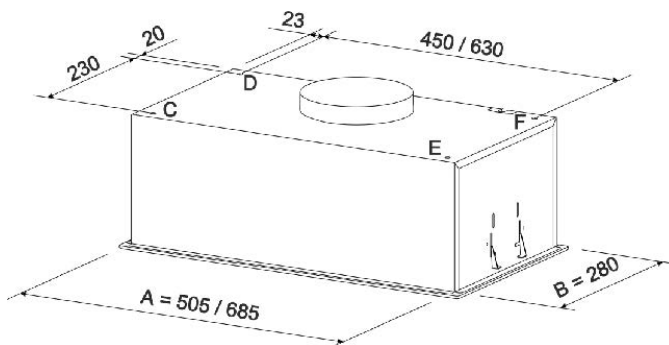


1. Hood body
2. Exhaust outlet
3. Energy cable with plug
4. Touch control



5. outer glass frame
6. glass door
7. Light LED

## Dimension Drawings



## Assembly

### 1. Examination

Before starting the actual installation, the device should be checked. In addition to the control of externally recognizable damage, a function check has to be done. Take out the device from the packing, get rid of all packing materials and put the device with the back on the floor / table. After connecting to a power supply, the lighting as well as the function of each stage should be checked. Please take care that exhaust outlet is open through check.

### 2. Preparation

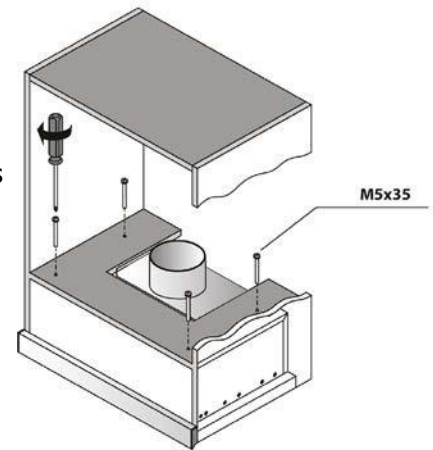
The hood must be installed in a cabinet. It is recommended that the cabinet is taken off the wall for easier installation and to ensure easier accessibility. In the cabinet floor an opening corresponding to the dimensions of the hood has to be cut out. The depth of this opening is 285mm. The width 510mm or 690mm, depending on the model. The opening should be placed in the floor as centrally as possible.

In any case the lower panel should not dominate the sides of the floor. Best would be, if the front edges of the hood cover and the cabinet bottom were flush. However, care must be taken to ensure that the remaining mounting frame has at least 20mm thickness so it does not endanger the cabinet stability.

## Installation variant 1

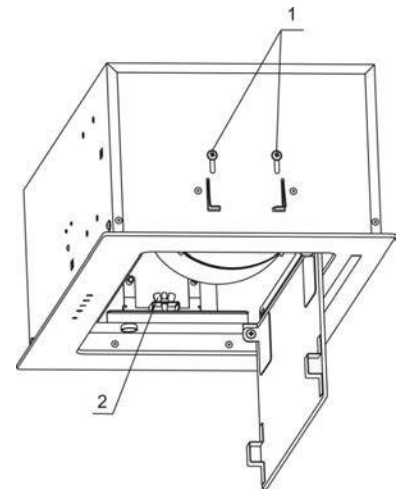
The attachment is done to an intermediate board, which is installed in appropriate height. The height of this board is to be installed at 230mm from lower edge of cabinet to lower edge of the board. For exhaust air an opening with 150mm Diameter has to be cut into this board at the appropriate place. It is recommended to make this opening a bit bigger to compensate measurement inaccuracies.

The hood is attached to 4 retaining holes, which do have threads. These are to be measured and drilled into the intermediate board. After that, the hood can be bolted from above to the intermediate floor.



## Installation variant 2

The hood is equipped with a clamping device. With this the hood can be installed from the bottom by clamping it to the mounting frame. The same opening as in variant 1 has to be cut out. First the fixing screws of the clamping device have to be loosened from the outside (see picture right, point 1) with each only half a turn. Now the clamps should be loose and adjustable in heights and depths. Now the hood can be put into the cabinet. Open the lower flap, remove the grease filter and press the clamping noses from inside back outside again. Then fix the clamps by turning the wing nut (see picture right, point 2) down until the hood is firmly trapped into the mounting frame. Repeat this on the opposite side. The hood is now attached and the flap can be closed after the grease filter has been reinstalled.



## Derivation of the exiting air flow

The air discharged from the hood, regardless of the use in the recirculation or exhaust mode, must be discharged from the cabinet. In this respect, it is necessary to cut out another opening in the cabinet ceiling at the same place as the air outlet of the extractor hood. Through this, either the exhaust hose routed to the wall outlet or in recirculation mode a pipe or hose connection is created that blows the air out of the cabinet. One end of the pipe or hose is to be connected to the hood on the exhaust port, the other end leads out of the closet and if necessary to a wall opening.

If after installation of the hood there is no access to the space, the air duct should be installed before installation of the hood. The same applies to the power supply.

## Alternative use as a ceiling hood

Due to the high suction power, use as a ceiling hood is conceivable. Slightly disadvantageous affects the low depth / width and thus smaller area coverage of the suction. In addition, there is no possibility of lateral air outlet, which thus an installation height of at least 440mm, provided that the connection of an exhaust air duct with lateral discharge is provided. For straight discharge upwards or in recirculation mode with diffuse exhaust air distribution in the suspended ceiling, the height can be reduced. Basically, however, and as well when installed in a cabinet, make sure that the air can escape unimpeded and is not blown into a completely enclosed space. Even with recirculation an outlet from a suspended ceiling has to be done in any case.

Otherwise, the attachment of the hood is analogous to installation in a cabinet.

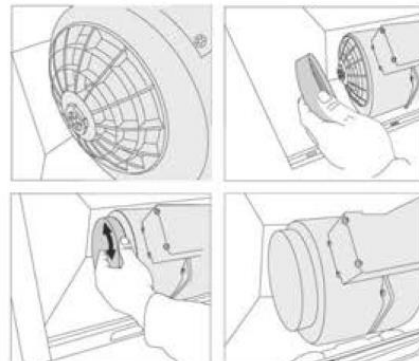
# Usage

## Inserting and changing the carbon filter

For recirculation mode we recommend the use of a carbon filter, which frees the cooking fumes from the smell. The carbon filter consists of two charcoal-filled cassettes, mounted left and right to the suction opening of the engine. For mounting please check picture.

To mount the carbon filter, please take the following steps:

1. First remove the metal grease filters
2. Place the charcoal filter on both sides of the motor in front of the suction openings
3. In the middle of the filter is a receptacle and on the fan a suitable insert
4. If the filter is seated correctly, you can fix it with a small twisting motion
5. Then reinsert the grease filter



The matching carbon filter for this model is called **GE15**

## Metal grease filter

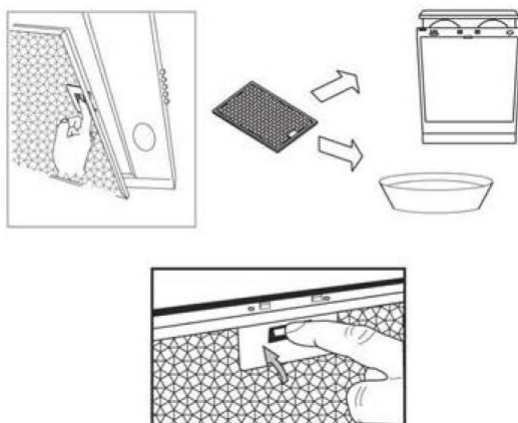
The aforementioned grease filters are in front of the engine and ensure the absorption of greasy ingredients from the kitchen haze. The cleaning can be done in the dishwasher. It is recommended to do this all 14 days (at least once a month). Too long cleaning intervals lead to a blockage of the filter and thus reduced power.

## Cleaning in the dishwasher

The grease filters of your hood are dishwasher safe (55 ° C). However, light discoloration of the metal can arise. These have no influence on the function of the grease filter and are not considered a reason for complaint. Put the filters loosely in the dishwasher. Do not bend or pinch them. NOTE: Do not clean very dirty grease filters together with other dishes.

## Cleaning by hand

If cleaned manually, first soak the grease filter extensively in hot rinse liquor, then brush well and above all, rinse well with clean water. After that drain well. Avoid use of aggressive, acidic or alkaline detergent. For very stubborn dirt you can resort to commercially available degreaser sprays.



## Usage



The control takes place via a 3-stage sensor control on the front panel of the extractor hood.

1, 2 and 3 turn on the engine at the appropriate power level. Touch again the lighted power level switches the motor off again.

The field on the far left switches the LED lighting on and off again.

Alternatively, the cooker hood can also be controlled via the included remote control.

### Timer / off timer

The extractor hood has a switchable automatic off timer (5 min). To activate this, keep the desired power level pressed for 5 seconds. After that the timer activates automatically and turns off the engine and lights after 5 minutes.

## Cleaning and care

- De-energize the device to clean it.
- Clean the outer parts with mild soapy water. Avoid hot cleaners, brushes, or scrubbing cloths.
- Conventional glass cleaner can be used for the glass surfaces.

**It is important to follow the filter changes and cleaning intervals. Failure to comply can be a fire hazard as a result of fat deposits.**

## Disposal of the transport packaging

The packaging protects the device against damage during transport. The packaging materials are selected to be environmentally friendly and recyclable. The return of the packaging into the material cycle saves raw materials and reduces waste. Your seller will take back the packaging.

Packing parts (e.g., foils, styrofoam) can be dangerous to children. There is danger of suffocation! Keep packaging parts out of reach of children and dispose them as soon as possible.

## Disposal of the old device

Electrical and electronic devices often contain valuable materials. They also contain harmful substances that are essential to their function and safety were necessary. Disposal as residual waste can be harmful to human health and the environment in case of wrong treatment. Therefore do not put your old device to residual waste. Instead, use those collection and return points established by your community or municipality for return and recovery of electrical and electronic waste.





## **Service**

If you have any questions or problems, please contact our customer service.  
BIB Handelshaus GmbH  
Gremberger Str. 18  
51105 Köln

Tel.: 036602 473898  
Email: [service@gurari.de](mailto:service@gurari.de)

MO - FR from 8:30 - 16:30

Please have the serial number and the model name of the device ready. The serial number can be found on the nameplate inside the hood.

All data subject to design changes in the context of technical development of our products.

© 2019 BIB Handelshaus GmbH

## Declaration of conformity

Product: Extractor hood GCH E 217  
Brand: Gurari  
Manufacturer: BIB Handelshaus GmbH - Gremberger Str. 18 - 51105 Köln - GERMANY

The manufacturer hereby declares the conformity of the aforementioned product with the following EU Guidelines:

Commission Delegated Regulation (EU) No 65/2014 of 1 October 2013

supplementing Directive 2010/30 / EU of the European Parliament and of the Council with a view to the energy consumption marking of home ovens and range hoods

Commission Regulation (EU) No 66/2014 of 14.01.2014

implementing Directive 2009/125 / EC of the European Parliament and of the Council with regard to on the establishment of ecodesign requirements for home baking ovens, cookers and cooker hoods.

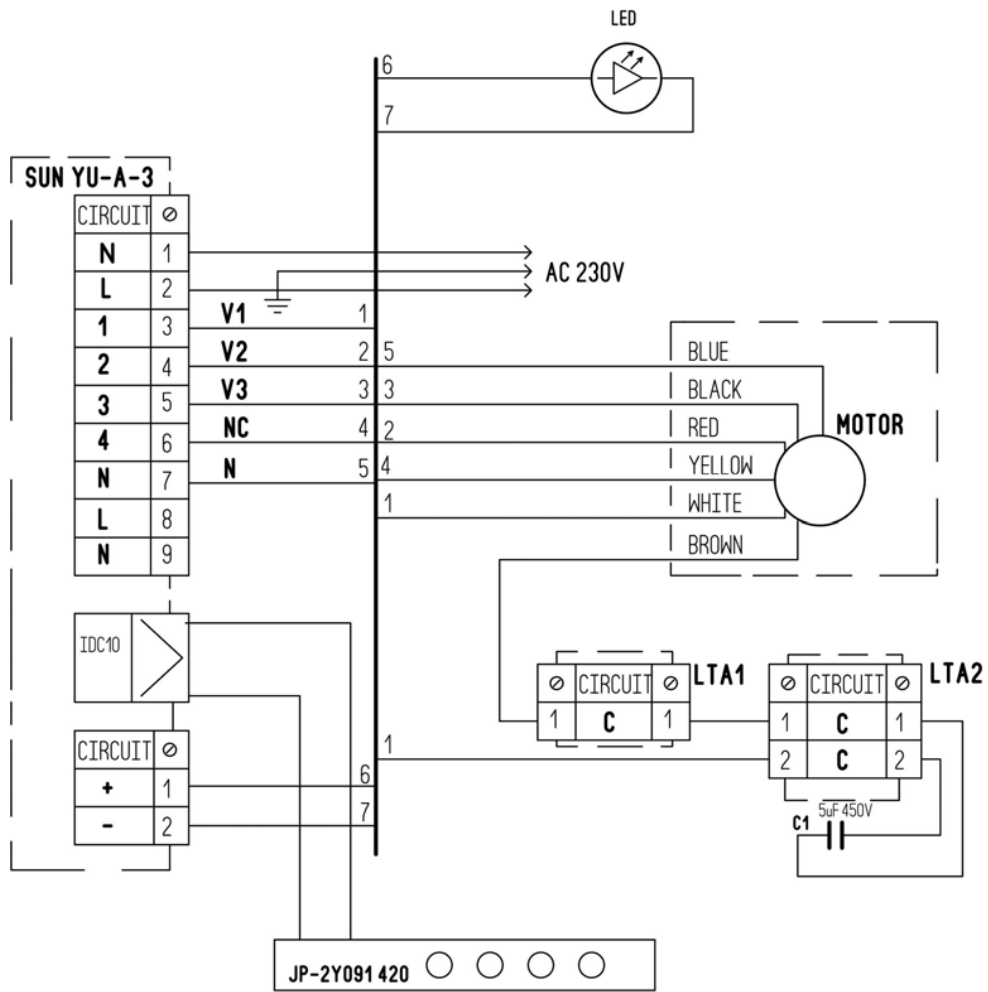
Proven by compliance with the following European standards:

EN61591: 1997 + A1: 2006 + A2: 2011 + A11: 2014  
EN60704-1: 2010 + A11: 2012  
EN60704-2-13: 2011  
EN50581: 2012  
EN50564: 2011

BIB Handelshaus GmbH  
Köln, November 2019

A handwritten signature in blue ink, appearing to read 'J. Bots', is located at the bottom left of the page.

# Circuit diagram for the model GCH E 217



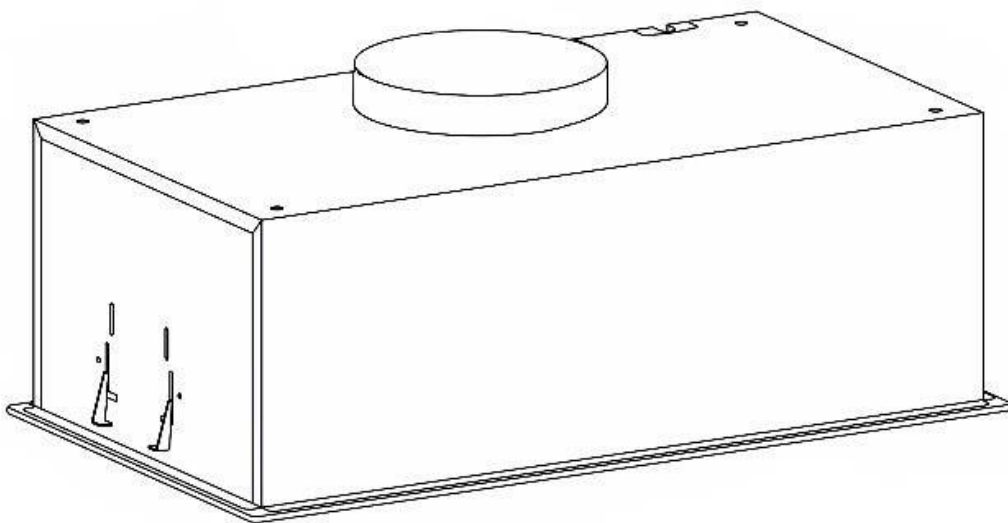
## Possible malfunctions of the extractor hood

					Check connection to the electricity supply
					Check whether the display is turned on
					Check the lamp switch (should be turned on)
					Check aluminum filter (should be cleaned once every month)
					Check the socket (For the power connection)
					Check lamps
					Check air outlet pipe (for the traction)
					Check carbon filter (replacement once every 6-12 months)
Extractor hood does not work	●	●	●	●	
The lamp does not light	●		●		
Reduced performance of the extractor hood			●	●	
The extractor hood began to work louder			●		
Air is poorly drawn in the recirculation mode		●			

# *Gurari*

## Dunstabzugshaube

Montage- und Bedienungsanleitung  
für das Modell:



# GCH E 217

Sehr geehrter Kunde,

wir sind stets bestrebt, Ihnen einwandfreie Produkte zu liefern. Sollte dieses Produkt bei Erhalt nicht in einwandfreiem Zustand sein, setzen Sie sich bitte sofort mit uns in Verbindung.

Bevor Sie mit der Installation und/oder der Verwendung dieses Produktes beginnen, lesen Sie sich bitte auf jeden Fall diese Anleitung sorgfältig durch. Kontrollieren Sie die gelieferten Teile auf Vollständigkeit und Unversehrtheit. Sollten trotz unserer Bemühungen bei der Kontrolle Teile defekt sein oder fehlen, kontaktieren Sie uns bitte. Sie erhalten in diesem Fall umgehend Ersatz.

Benutzen Sie bitte niemals defekte Teile.

Diese Dunstabzugshaube ist für die Installation in Privathaushalten mit entsprechender Nutzung konstruiert worden. Eine falsche Installation kann das Gerät und/oder Ihre Küche beschädigen, sowie zu schweren Verletzungen führen. Verwenden Sie die Teile der Dunstabzugshaube und die Haube selbst nicht für Zwecke, die nicht explizit in der Anleitung aufgeführt sind. Für Unfälle oder Schäden, die aufgrund einer falschen Installation, dem Benutzen defekter Teile oder einer falschen Nutzung dergelieferter Utensilien entstanden sind, wird keine Haftung übernommen.

Die mitgelieferten Montageteile sind nicht für alle Decken geeignet. Wenn Sie sich nicht sicher sind, aus welchem Material Ihre Decke besteht und ob sie über ausreichende Tragfähigkeit verfügt, vergewissern Sie sich unbedingt bei einem Sachverständigen. Sie benötigen unter Umständen spezielle Schrauben und Dübel, die nicht im Lieferumfang enthalten sind.

Falls Sie diese Anleitung nicht verstehen oder Bedenken um Ihre Sicherheit haben, empfehlen wir die Beauftragung eines erfahrenen Installateurs für die Montage. Aufgrund des Gewichts und der Abmessungen dieses Produktes empfehlen wir die Montage auf jeden Fall mit 2 Personen durchzuführen.

Wir wünschen Ihnen viel Freude mit Ihrer neuen Dunstabzugshaube.

## **Allgemeine Hinweise**

Achten Sie auf umweltgerechte Entsorgung der Verpackung.

Bitte lesen Sie diese Anleitung vor Inbetriebnahme sorgfältig durch. Sie enthält wichtige Hinweise zu Ihrer Sicherheit, Montage, Inbetriebnahme, Reinigung und Pflege Ihrer Dunstabzugshaube.

Bewahren Sie die Anleitung gut auf.

Die Inbetriebnahme eines beschädigten Gerätes ist zu unterlassen.

Das Gerät ist nur für die Verwendung in privaten Haushalten und nicht in der Gastronomie geeignet.

Montage und Betrieb dürfen nur gemäß den Angaben in dieser Anleitung erfolgen.

Unsere Geräte entsprechen den rechtlichen Bestimmungen für Elektrohausgeräte und dürfen daher nur durch hierfür autorisiertes Personal repariert werden. Neben den Gefahren, die bei unsachgemäßer Behandlung entstehen, weisen wir aus drücklich darauf hin, dass bei unsachgemäßem Eingriff der Garantieanspruch erlischt.

## **Lieferumfang**

- Haubenkorpus inkl. LED Leuchten / Motor / Steuerung / Fettfilter
- Reduzierstück  $\varnothing 150\text{mm}$  /  $\varnothing 120\text{mm}$
- Fernbedienung
- Befestigungsmaterial
- Bedienungsanleitung

# Technische Daten

## Leistung

- Anschlusswert in Watt	206W
- Davon Beleuchtung (LED)	1x 6W
- Spannung in Volt	220-240V
- Fördervolumen max.	1000m <sup>3</sup> /h

## Maße

- Höhe in cm	23,5cm
- Breite in cm	52/70cm
- Tiefe in cm	29,5cm
- Abluftöffnung in mm	ø150mm
- Nettogewicht in kg	ca. 7,1/8,1kg

## Ausstattung

- Einbauhaube zum Einbau in einen Schrank
- Anschluss mit Schukostecker
- 3-stufige Steuerung
- LED-Beleuchtung (1x 6W)
- Fettfilter (spülmaschinengeeignet)
- Geeignet für Um- und Abluft

## Sicherheitshinweise

### Spannungsversorgung

Der Anschluss erfolgt über eine fest montierte Zuleitung mit Schutzkontaktstecker.

Im Falle eines erforderlichen Festanschlusses darf die Dunsthaube nur durch einen beim zuständigen EVU (Elektrizitätsversorgungsunternehmen) eingetragenen Elektroinstallateur angeschlossen werden.

Installationsseitig ist eine Trennvorrichtung (dazu zählen Sicherungen, Schütze und LS-Schalter gem. VDE 0730, §7, Teil 1) vorzusehen.

### Abluftanschluss

Um einen optimalen Betrieb bei Abluft zu gewährleisten, empfehlen wir die Umsetzung folgender Maßnahmen

- Kurze, gerade Rohrführung
- Möglichst wenige Rohrbögen
- Verlegung der Rohre in flachen Bögen und Vermeidung von spitzen Winkeln
- Möglichst großer Rohrdurchmesser

Im Falle einer Nichtbeachtung dieser Punkte kann es zu drastischen Leistungsverlusten und erhöhten Betriebsgeräuschen kommen. Dies ist nicht als Fehlfunktion des Gerätes zu werten.

Außerdem ist es in jedem Fall unzulässig die Abluft in anderweitig genutzte Schornsteine, Abzüge oder sonstige Luftkanäle zu leiten, es sei denn diese werden ausschließlich für die Abluft der Dunst-abzugshaube verwendet.

Wir empfehlen bei Einleitung der Abluft in einen nicht in Betrieb befindlichen Kamin, die Zustimmung des zuständigen Schornsteinfegers einzuholen.

Für alle Abluft-Führungen sind generell die behördlichen Vorschriften einzuhalten. Wird die Dunsthaube mit Abluft betrieben, ist für eine ausreichende Luftzufuhr zu sorgen.

Der gemeinsame Betrieb von Dunstabzugshauben und kamingebundenen Feuerungsstätten wie Gasthermen und Öl- oder Kohleöfen im selben Raum, unterliegt aufgrund Länder-Bauvorschriften bestimmten Einschränkungen.

Wir empfehlen im Zweifelsfall den Rat und die Zustimmung des Bezirksschornsteinfegers oder der örtlichen Baubehörde einzuholen.

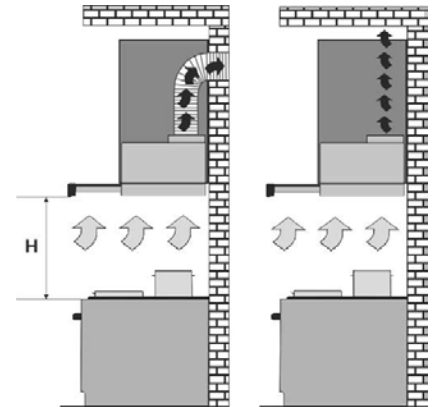
## Mindestabstände

### Abstand zum Elektro-Kochfeld

Von der Elektrokochstelle bis zur Unterkante des Haubenkorpus sollte ein Mindestabstand von 600mm eingehalten werden.

### Abstand zum Gas-Kochfeld

Zwischen Gaskochstellen (Oberkante Topfträger) und Unterkante Haubenkorpus sollten Sie einen Mindestabstand von 700mm einhalten.



## Sonstige Hinweise

Es muss darauf geachtet werden, dass im Betrieb befindliche Kochstellen stets abgedeckt sind, damit durch starke Hitzeentwicklung das Gerät nicht beschädigt wird.

Beim Frittieren unterhalb einer Dunstabzugshaube ist das zum Frittieren verwendete Gerät während des Betriebs zu beaufsichtigen.

In Fritteusen enthaltene Öle können sich durch Überhitzung selbst entzünden. Wird verschmutztes Öl verwendet kann es noch leichter zur Selbstentzündung kommen.

Wir weisen darauf hin, dass durch Überhitzung ein Brand entstehen kann. Desweiteren weisen wir ausdrücklich darauf hin, dass das Flambieren unter der Dunsthaube nicht erlaubt ist.

Bei allen Arbeiten an der Dunstabzugshaube, auch beim Lampenwechsel, ist die Dunsthaube stromlos zu machen (Sicherungsautomaten abschalten bzw. Schraubsicherung aus der Fassung herausnehmen). Außerdem ist es wichtig die Filterwechsel- und Reinigungsintervalle einzuhalten.

**Bei Nichtbeachtung besteht aufgrund von Fettablagerungen akute Feuergefahr!**

## Energiesparhinweise

Zubereitung, aufwärmen und warmhalten von Speisen sollte immer in Töpfen oder Pfannen mit geschlossenen Deckeln erfolgen.

Das Gerät sollte umgehend nach Kochende ausgeschaltet oder, wenn vorhanden, die zeitverzögerte Abschaltfunktion in Anspruch genommen werden.

Die Beleuchtung des Geräts sollte nach dem Kochende ausgeschaltet werden.

Topfgrößen sollten an den Durchmesser der verwendeten Kochzonen angepasst sein.

Verwenden Sie die höchste Motorgeschwindigkeit des Gerätes nur bei einer hohen Konzentration von Kochdünsten.

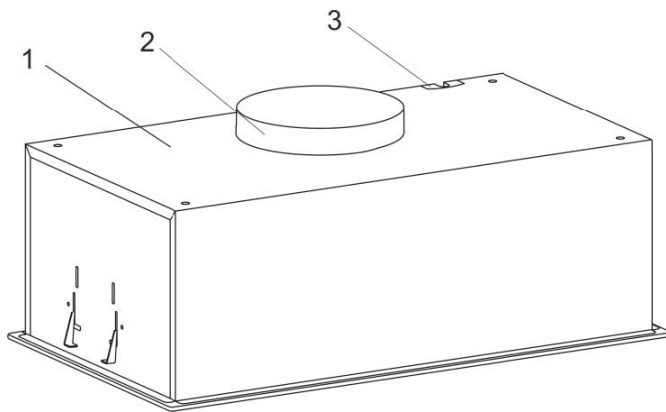
Zur Steigerung der Effizienz des Geräts, reinigen Sie regelmäßig die Fettfilter.

Kohlefilter (bei Verwendung im Umluftbetrieb) sollten nach Herstellervorgaben regelmäßig ausgetauscht werden.

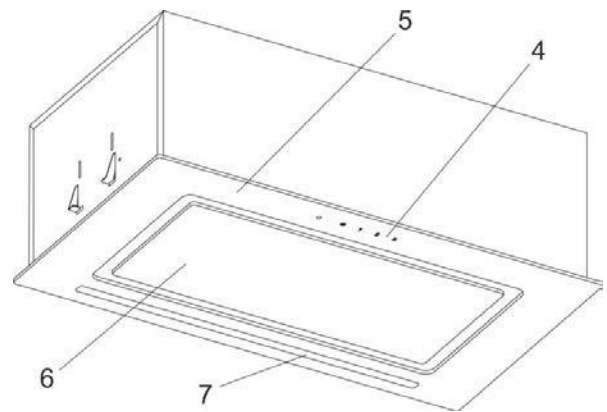


## Teilebezeichnung

Die Dunstabzugshaube besteht aus folgenden Teilen

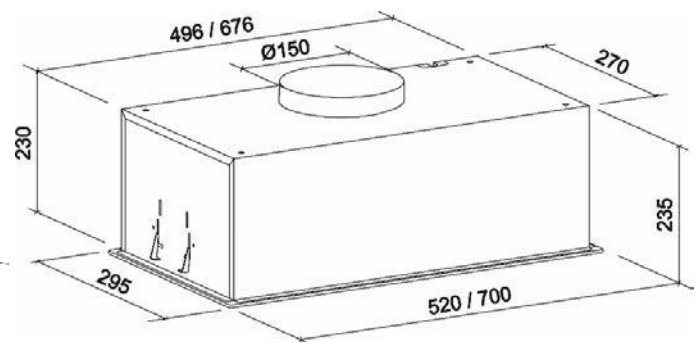
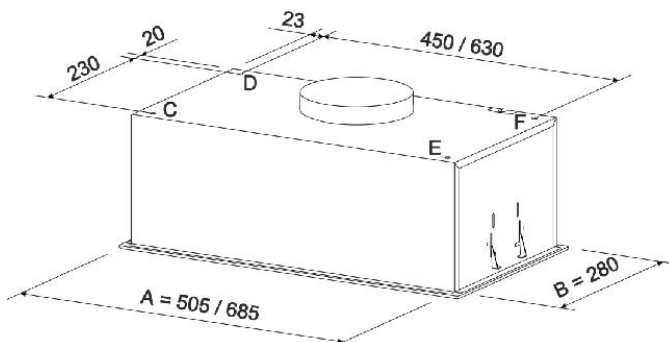


1. Korpus der Dunstabzugshaube
2. Abluftstutzen  $\varnothing 150\text{mm}$
3. Stromkabel mit Schutzkontaktstecker
4. Sensorsteuerung (Touch Control)



5. Äußerer Rahmen
6. Innenplatte
7. Beleuchtung (LED)

## Maßskizzen



## Montage

### 1. Prüfung

Vor Beginn der eigentlichen Montage sollte das Gerät geprüft werden. Neben der Kontrolle äußerlich erkennbarer Schäden ist auch eine Funktionskontrolle durchzuführen. Hierzu ist das Gerät aus der Verpackung zu nehmen, von allen Verpackungsmaterialien zu befreien und mit der Rückseite auf den Boden/Tisch zu legen. Nach Verbindung mit einer Stromversorgung kann nun die Beleuchtung als auch die Funktion der einzelnen Stufen überprüft werden.

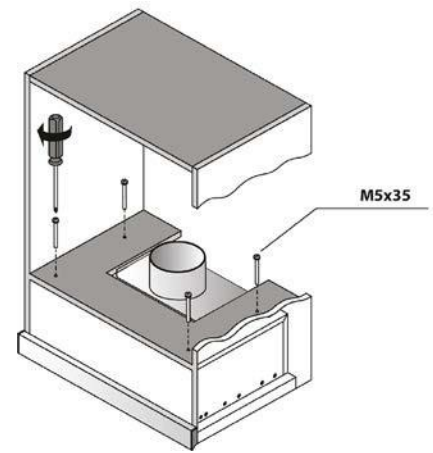
### 2. Vorbereitung

Die Haube muss in einen Schrank eingebaut werden. Es empfiehlt sich den Schrank zur Montage von der Wand zu nehmen um eine leichtere Erreichbarkeit zu gewährleisten. In den Schrankboden muss eine entsprechende Öffnung geschnitten werden. Die Tiefe dieser Öffnung beträgt 285mm. Die Breite 510mm bzw. 690mm, je nach Modell. Die Öffnung ist im Boden möglichst mittig anzubringen und auf jeden Fall so, das die untere Blende nach Einbau die Seiten des Bodens nicht überragt. Optimal wäre es, wenn die vorderen Kanten der Haubenblende und der Schrankunterseite bündig wären. Es sollte jedoch darauf geachtet werden, dass der nach Ausschnitt überbleibende Schrankboden bzw. Einbau-rahmen rundherum wenigstens 20mm stark ist um die Schrankstabilität nicht zu gefährden.

## Einbauvariante 1

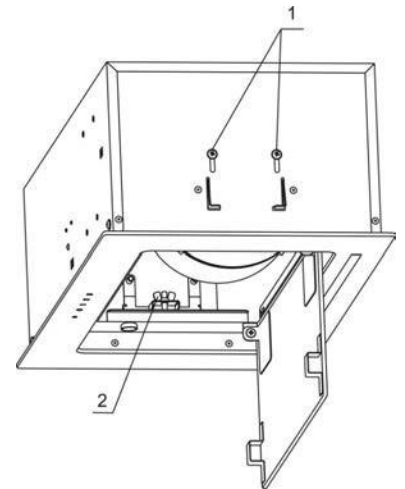
Die Befestigung erfolgt an einem Zwischenboden, der in entsprechender Höhe eingebaut ist. Die Höhe des Zwischenbodens liegt bei 230mm von Unterkante Schrank zu Unterkante Zwischenboden. In den Zwischenboden muss die Abluftöffnung mit 150mm Durchmesser an entsprechender Stelle eingeschnitten werden. Es empfiehlt sich diese Öffnung etwas größer zu machen um Messungenauigkeiten auszugleichen.

Die Haube wird an 4 Haltelöchern befestigt, die mit Gewinden ausgestattet sind. Diese sind zu vermessen und im Zwischenboden sind Löcher an gleicher Stelle zu bohren. Danach kann die Haube von oben mit dem Zwischenboden verschraubt werden.



## Einbauvariante 2

Wenn Sie die Dunstabzugshaube von unten direkt an einem vorhandenen Einbaurahmen befestigen möchten, besitzt die Haube links und rechts eine Klemmvorrichtung. Zunächst lösen Sie von außen die seitlichen Fixierungsschrauben (s. Abb. rechts Punkt 1) mit jeweils nur einer halben Umdrehung. Nun sollten die von außen sichtbaren Klemmnasen sowohl in der Höhe verstellbar, als auch nach innen versenkbar sein. Setzen Sie die Haube nun in den vorhandenen Einbaurahmen ein, öffnen Sie die untere Klappe, entfernen Sie den Fettfilter und drücken Sie nun die Klemmnasen von innen wieder nach außen. Danach schieben Sie selbige durch Drehen an der Flügelmutter (s. Abb. rechts Punkt 2) nach unten, bis sich die Haube fest in den Einbaurahmen eingeklemmt hat. Wiederholen Sie dies an der gegenüberliegenden Seite. Die Haube ist nun befestigt und die Klappe kann nach einsetzen des Fettfilters wieder geschlossen werden.



## Ableitung des austretenden Luftstroms

Die von der Haube abgegebene Luft muss ungeachtet der Nutzung im Umluft- oder Abluftmodus aus dem Schrank ausgeleitet werden. Insofern ist es notwendig in die Schrankdecke eine Abluftöffnung an gleicher Stelle wie der Luftausgang der Dunstabzugshaube einzubringen. Durch diese wird entweder der Abluftschlauch zum Wandausgang geleitet oder im Umluftbetrieb eine Rohr- oder Schlauchverbindung geschaffen, die die Luft aus dem Schrank ausbläst.

Das eine Ende des Rohrs oder Schlauchs ist mit der Haube am Abluftstutzen zu verbinden, das andere aus dem Schrank und ggfls. durch eine Maueröffnung zu führen. Sollte nach Einbau der Haube ein Zugang zum darüber liegenden Raum nicht mehr möglich sein, ist die Luftführung vor Einbau der Haube zu fertigen und mit der Haube zu verbinden. Gleiches gilt für die Stromversorgung.

## Alternative Nutzung als Deckenhaube

Aufgrund der hohen Saugleistung ist eine Nutzung als Deckenhaube denkbar. Geringfügig nachteilig wirkt sich hierbei die geringe Tiefe/Breite und damit kleinere Flächenabdeckung der Absaugung aus.

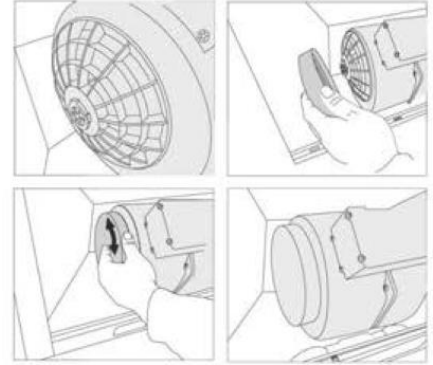
Außerdem besteht nicht die Möglichkeit der seitlichen Luftausleitung, was somit eine Einbauhöhe von mindestens 440mm voraussetzt, sofern der Anschluss eines Abluftkanals mit seitlicher Abführung vorgesehen ist. Bei gerader Abführung nach oben oder im Umluftbetrieb mit diffuser Abluftverteilung in der abgehängten Decke kann die Höhe ggfls. reduziert werden. Grundsätzlich ist jedoch immer, wie auch beim Einbau in einen Schrank, darauf zu achten, dass die Luft ungehindert austreten kann und diese nicht in einen gänzlich geschlossenen Raum geblasen wird. Es ist insofern im Umluftbetrieb eine Ausgangsöffnung für die abgeblasene Luft zu schaffen.

Ansonsten erfolgt die Befestigung der Haube analog zum Einbau in einen Schrank.

# Betrieb

## Einsetzen und Wechsel der Kohlefilter

Für den Umluftbetrieb empfehlen wir die Verwendung eines Kohlefilters, der die Kochdünste vom Geruch befreit. Der Kohlefilter besteht aus zwei mit Aktivkohle gefüllten Kassetten, die links und rechts auf die Ansaugöffnungen des Motors aufgesetzt und eingedreht werden (s. Abb.)



Um die Aktivkohlefilter zu montieren gehen Sie bitte folgendermaßen vor:

1. Entnehmen Sie zunächst die Metall-Fettfilter
2. Setzen Sie den Aktivkohlefilter auf beiden Seiten des Gebläses vor die Ansaugöffnungen
3. In der Mitte der Filter ist eine Aufnahme und auf dem Gebläse ein passender Einsatz
4. Wenn der Filter korrekt sitzt können Sie ihn mit einer kleinen Drehbewegung fixieren
5. Setzen Sie danach den Fettfilter wieder ein

Der für dieses Modell passende Kohlefilter heißt **GE15**

## Metall-Fettfilter

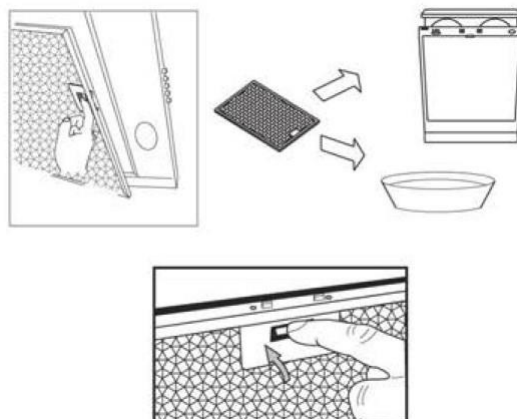
Die zuvor erwähnten Fettfilter sitzen noch vor dem Motor und sorgen für die Aufnahme der fettigen Bestandteile aus dem Küchendunst. Die Reinigung kann in der Spülmaschine erfolgen und sollte alle 14 Tage (min. 1x im Monat) durchgeführt werden. Zu lange Reinigungsintervalle führen zu einer Verstopfung des Filters und damit zu reduzierter Leistung.

## Reinigung in der Spülmaschine

Die Fettfilter Ihrer Haube sind spülmaschinengeeignet (55° C). Dabei können jedoch leichte Verfärbungen des Metalls entstehen. Diese haben keinerlei Einfluss auf die Funktion des Fettfilters und gelten nicht als Reklamationsgrund. Legen Sie die Filter locker in die Geschirrspülmaschine ohne sie zu biegen oder einzuklemmen. HINWEIS: Reinigen Sie sehr stark verschmutzte Fettfilter nicht zusammen mit anderem Geschirr.

## Reinigung von Hand

Bei der Handreinigung die Fettfilter zunächst ausgiebig in heißer Spüllauge einweichen, danach gut abbürsten und vor allem sehr gut mit klarem Wasser ausspülen. Danach gut abtropfen lassen. Sehen Sie von der Verwendung aggressiver, säure- oder laugenhaltiger Reinigungsmittel ab. Für sehr hartnäckige Verschmutzungen können Sie auf im Handel erhältliche Fettlöser-Sprays zurückgreifen.



## Bedienung



Die Steuerung erfolgt über eine 3-Stufige Sensorsteuerung an der Unterseite der Dunstabzugshaube. 1, 2 und 3 schalten den Motor in der entsprechenden Leistungsstufe ein. Erneutes berühren der eingestellten Leistungsstufe schaltet den Motor wieder aus.

Das Feld ganz links schaltet die LED-Beleuchtung ein und auch wieder aus.

Alternativ kann die Dunstabzugshaube auch über die im Lieferumfang enthaltene Fernbedienung gesteuert werden.

### Timer/Nachlaufautomatik

Die Dunstabzugshaube verfügt über eine zuschaltbare Nachlaufautomatik (5 Min). Um diese zu aktivieren halten Sie die gewünschte Leistungsstufe für 5 Sekunden gedrückt. Danach aktiviert sich der Timer und schaltet den Motor sowie die Beleuchtung nach 5 Minuten automatisch aus.

## Reinigung und Pflege

- Zum Reinigen das Gerät spannungslos machen.
- Die äußeren Teile mit milder Spüllauge reinigen. Scharfe Reinigungsmittel, Bürsten, oder Scheuerlappen vermeiden.
- Für die Glasflächen kann herkömmlicher Glasreiniger verwendet werden.

**Es ist wichtig die Filterwechsel und Reinigungsintervalle einzuhalten. Bei Nichtbeachtung kann in Folge von Fettablagerung Feuergefahr bestehen.**

## Entsorgung der Transportverpackung

Die Verpackung schützt das Gerät vor Transportschäden. Die Verpackungsmaterialien sind nach umweltverträglichen und entsorgungstechnischen Gesichtspunkten ausgewählt und deshalb recycelbar. Die Rückführung der Verpackung in den Materialkreislauf spart Rohstoffe und verringert das Abfallaufkommen. Ihr Fachhändler nimmt die Verpackung zurück.

Verpackungsteile (z.B. Folien, Styropor) können für Kinder gefährlich sein. Es besteht Erstickengefahr! Bewahren Sie Verpackungsteile außerhalb der Reichweite von Kindern auf und entsorgen Sie diese so schnell wie möglich.

## Entsorgung des Altgerätes

Elektrische und elektronische Altgeräte enthalten vielfach noch wertvolle Materialien. Sie enthalten aber auch schädliche Stoffe, die für ihre Funktion und Sicherheit notwendig waren. Im Restmüll oder bei falscher Behandlung können diese der menschlichen Gesundheit und der Umwelt schaden. Geben Sie Ihr Altgerät deshalb auf keinen Fall in den Restmüll. Nutzen Sie stattdessen die von Ihrer Gemeinde oder Kommune eingerichtete Sammelstelle zur Rückgabe und Verwertung elektrischer und elektronischer Altgeräte.



## **Service**

Bei eventuellen Fragen und Störungen wenden Sie sich bitte an unseren Kundendienst.

BIB Handelshaus GmbH  
Gremberger Str. 18  
51105 Köln

Tel.: 036602 473898  
Email: [service@gurari.de](mailto:service@gurari.de)

MO - FR von 8:30 - 16:30

Halten Sie bitte die Seriennummer und die Modellbezeichnung des Gerätes bereit. Die Seriennummer finden Sie nach Entnehmen der Metallfilters an der Innenseite des Gerätes.

Alle Angaben vorbehaltlich Konstruktionsänderungen im Rahmen der technischen Weiterentwicklung unserer Produkte.

© 2019 BIB Handelshaus GmbH

# Konformitätserklärung

Produkt: Dunstabzugshaube GCH E 217  
Marke: Gurari  
Hersteller: BIB Handelshaus GmbH – Gremberger Str. 18 – 51105 Köln – DEUTSCHLAND

Der Hersteller erklärt hiermit die Übereinstimmung des vorgenannten Produktes mit folgenden EU Richtlinien:

Delegierte Verordnung (EU) Nr. 65/2014 der Kommission vom 1. Oktober 2013

zur Ergänzung der Richtlinie 2010/30/EU des Europäischen Parlaments und des Rates im Hinblick auf die Energieverbrauchskennzeichnung von Haushaltsbacköfen und -dunstabzugshauben

Verordnung (EU) Nr. 66/2014 der Kommission vom 14.01.2014

zur Durchführung der Richtlinie 2009/125/EG des Europäischen Parlaments und des Rates im Hinblick auf die Festlegung von Anforderungen an die umweltgerechte Gestaltung von Haushaltsbacköfen, -kochmulden und -dunstabzugshauben.

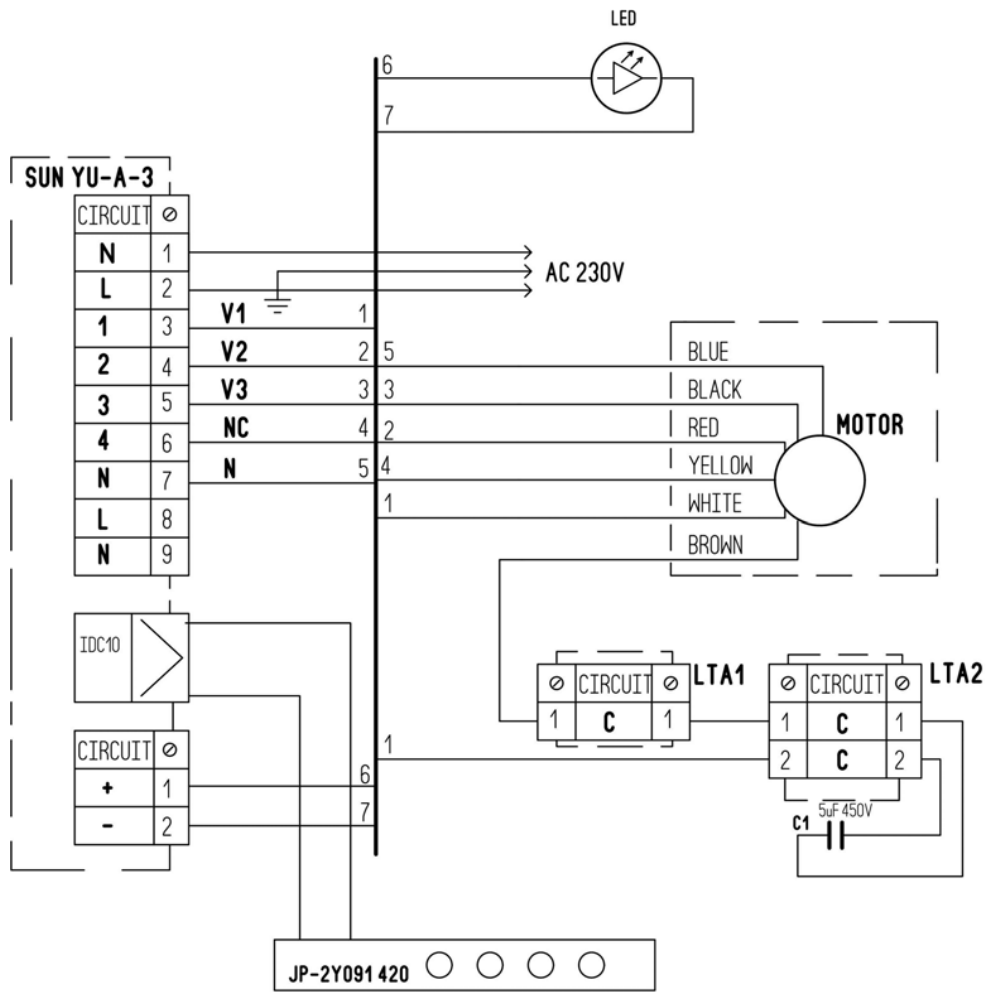
Nachgewiesen durch Einhaltung folgender europäischer Standards:

EN61591:1997 + A1:2006 + A2:2011 + A11:2014  
EN60704-1:2010 + A11:2012  
EN60704-2-13:2011  
EN50581:2012  
EN50564:2011

BIB Handelshaus GmbH  
Köln, im November 2019



# Schaltplan für das Modell GCH E 217



## Möglicherweise auftretende Störungen

					Überprüfen Sie die elektrische Verbindung
					Überprüfen Sie ob der Motor arbeitet
					Überprüfen Sie ob die Beleuchtungstaste leuchtet
					Überprüfen Sie den Fettfilter (Reinigung min. 1x im Monat)
					Überprüfen Sie ob Strom an der Steckdose vorhanden ist
					Überprüfen Sie die Lampen
					Überprüfen Sie ob Luft am Abluftstutzen ausgeblasen wird
					Überprüfen Sie den Kohlefilter (wechsel alle 6-12 Monate)
Die Haube arbeitet nicht	●				
Die Beleuchtung geht nicht	●				
Die Saugleistung wurde schlechter		●			
Die Haube wurde lauter			●		
Im Umluftmodus ist die Saugleistung schlecht				●	